

# Configure a Model Number

## Output Shaft Orientation

Type	Prefix
Horizontal	<b>H</b>
Vertical	<b>V</b>
Vertical Up (Solid Shaft)	<b>W</b>

## Mounting Style

Type	Prefix
Shaft Mount (Hollow Shaft)	<b>Y</b>
Housing Mount (Solid Shaft)	<b>U</b>
Flange (Solid Shaft)	<b>F</b>
Foot (Solid Shaft)	<b>H</b>

## Input Connection

Type of Input	Prefix	
	Reducer	Gearmotor
Gearmotor		<b>M</b>

## Modification

Type	Prefix
Unit built with special modifications	<b>S</b>
Shrink Disc	<b>S</b>
No special modifications applied	

## Motor Power

(applies only to 1750 RPM)

HP	kW	Symbol
1/8	(0.1)	<b>01</b>
1/4	(0.2)	<b>02</b>
1/3	(0.25)	<b>03</b>
1/2	(0.4)	<b>05</b>
3/4	(0.55)	<b>08</b>
1	(0.75)	<b>1</b>
1 1/2	(1.1)	<b>1H</b>
2	(1.5)	<b>2</b>
3	(2.2)	<b>3</b>
5	(3.7)	<b>5</b>
7 1/2	(5.5)	<b>8</b>
10	(7.5)	<b>10</b>
15	(11)	<b>15</b>
20	(15)	<b>20</b>
25	(18.5)	<b>25</b>
30	(22)	<b>30</b>
40	(30)	<b>40</b>
50	(37)	<b>50</b>
60	(45)	<b>60</b>
75	(55)	<b>75</b>

## Frame Size

Single Reduction			
4A100	4B125	4C170	4E175
4A105	4B140	4C175	4E180
4A110	4B145	4D160	4E185
4A115	4B160	4D165	4E190
4A120	4B165	4D170	4E195
4A125	4C140	4D175	4F180
4A140	4C145	4D180	4F185
4A145	4C160	4D185	4F190
4B120	4C165	4E170	4F195
Double Reduction			
4A10DA	4B16DA	4C17DC	4E17DC
4A12DA	4B16DB	4D16DA	4E18DA
4A12DB	4B16DC	4D16DB	4E18DB
4A14DA	4C14DA	4D16DC	4E19DA
4A14DB	4C14DB	4D17DA	4E19DB
4A14DC	4C14DC	4D17DB	4F18DA
4B12DA	4C16DA	4D17DC	4F18DB
4B12DB	4C16DB	4D18DA	4F19DA
4B14DA	4C16DC	4D18DB	4F19DB
4B14DB	4C17DA	4E17DA	
4B14DC	4C17DB	4E17DB	

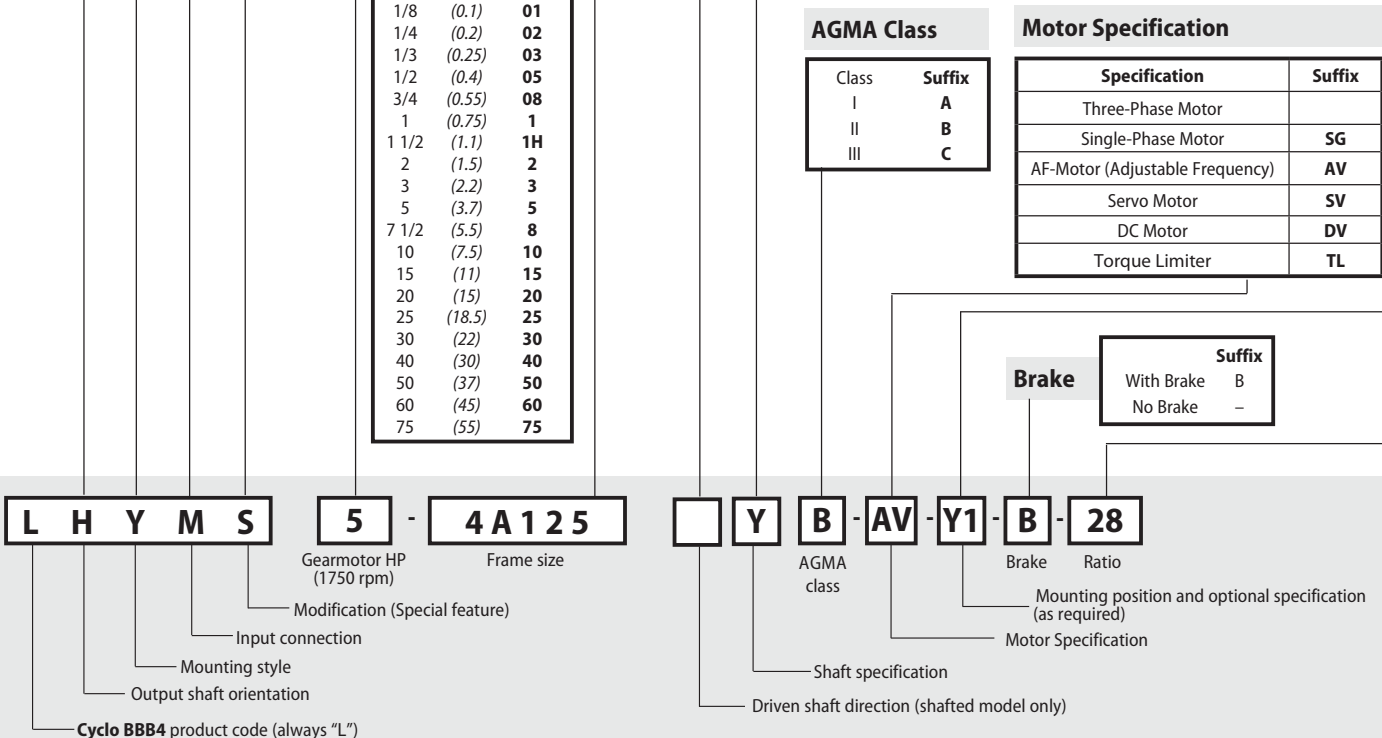
When ordering, the following information should be included:

- Motor Specification (230/460 VAC 60 Hz is supplied, unless otherwise specified)
- Bushing Bore size must be supplied

Optional conduit box positions must be specified, otherwise Y1 is supplied.

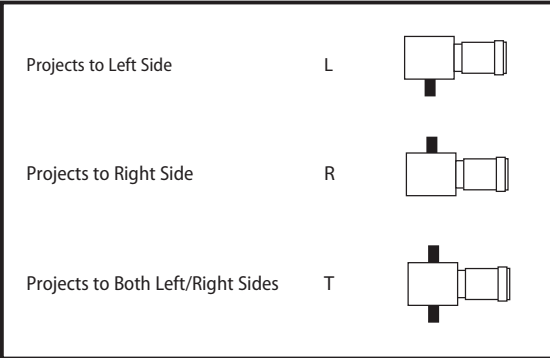
Gearmotors

Nomenclature



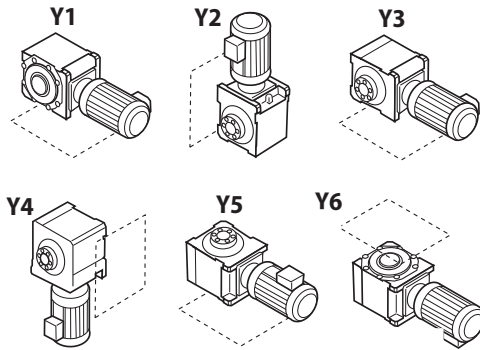
# Nomenclature

### Driven Shaft Direction (Shafted Model Only)



### Shaft Specifications

Input Shaft	OUTPUT SHAFT		Suffix
	Hollow	Solid	
mm	Key (mm)	mm	
Inch	Key (Inch)	Inch	<b>K</b>
mm	Taper Grip		<b>M</b>
Inch	Taper Grip		<b>Y</b>



### Mounting Positions

### Nominal and Exact Ratio

#### Nomenclature Example:

**LHYMS – 5 – 4A125YB – AVY1B – 28**

- L – Cyclo Bevel Buddybox
- H – Horizontal
- Y – Shaft Mount (Hollow Shaft)
- M – Integral Motor
- S – Modification (Special Feature)
- 5 – 5 HP (3 kW), 1750 RPM
- 4A125 – Frame Size
- Y – Taper-Grip® Bushing output
- B – AGMA Class II
- AV – Adj. Frequency Motor
- Y1 – Installation Position
- B – Brake
- 28 – Ratio

### Nominal and Exact Ratios

BBB4 with Planetary Input				BBB4 with Planetary Input				
Nominal Ratio		Frame Size	Exact Ratio	Single Reduction		Frame Size	Exact Ratio	
Input	Overall			Input	Overall			
3	11	4A10	10.50	6	21	All	21.0	
		4A12		7	22		22.4	
		4A14		7	25		24.5	
		4B14		8	28		28.0	
		4B16		11	35		35.2	
		4C16		11	39		38.5	
	4D16	10.85	13	46	45.5			
	4D17		15	53	52.5			
	4E17		17	60	59.5			
	4E18		21	67	67.2			
	4E19		21	74	73.5			
	4F19		10.82	25	80		80.0	
4	13	4A10	12.99	29	88	All	87.5	
		4A12		29	102		101.5	
		4A14		35	112		112.0	
		4B14		35	123		122.5	
		4B16		43	151		150.5	
		4C16		43	179		178.5	
	4D16	12.80	59	207	206.5			
	4D17		71	249	248.5			
	4E17		87	305	304.5			
	4E18		119	417	416.5			
	4E19		13.01	104	364		364.0	
	4F19			121	424		423.5	
5	14	4A10		14.21	143	501	All	500.5
		4A12			143	578		577.5
		4A14			165	578		577.5
		4B14			195	683		682.5
		4B16	231		809	808.5		
		4C16	273		956	955.5		
	4D16	14.00	319	1117	1116.5			
	4D17		377	1320	1319.5			
	4E17		473	1656	1655.5			
	4E18		559	1957	1956.5			
	4E19		649	2272	2271.5			
	4F19		731	2559	2558.5			
6	16	4A10	15.36	841	2944	All	2943.5	
		4A12		1003	3511		3510.5	
		4A14		1247	4365		4364.5	
		4B14		1479	5177		5176.5	
		4B16		1849	6472		6471.5	
		4C16		2065	7228		7227.5	
	4D16	16.26	2537	8880	8879.5			
	4D17		3045	10658	10657.5			
	4E17		3481	12184	12183.5			
	4E18		4437	15530	15529.5			
	4E19		5133	17966	17965.5			
	4F19		6177	21620	21619.5			
7	17	4A10	16.80	7569	26492	All	26491.5	
		4A12		104	364		364.0	
		4A14		121	424		423.5	
		4B14		143	501		500.5	
		4B16		165	578		577.5	
		4C16		195	683		682.5	
	4D16	17.50	231	809	808.5			
	4D17		273	956	955.5			
	4E17		319	1117	1116.5			
	4E18		377	1320	1319.5			
	4E19		473	1656	1655.5			
	4F19		559	1957	1956.5			
8	18	4A10	17.10	649	2272	All	2271.5	
		4A12		731	2559		2558.5	
		4A14		841	2944		2943.5	
		4B14		1003	3511		3510.5	
		4B16		1247	4365		4364.5	
		4C16		1479	5177		5176.5	
	4D16	17.78	1849	6472	6471.5			
	4D17		2065	7228	7227.5			
	4D17		2537	8880	8879.5			
	4E17		3045	10658	10657.5			
	4E18		3481	12184	12183.5			
	4E19		4437	15530	15529.5			
9	19	4A10	17.10	5133	17966	All	17965.5	
		4A12		6177	21620		21619.5	
		4A14		7569	26492		26491.5	
		4B14		104	364		364.0	
		4B16		121	424		423.5	
		4C16		143	501		500.5	

Gearmotors

Nomenclature