

Configure a Model Number

Output Shaft Orientation

Type	Prefix
Horizontal	H
Vertical	V

Mounting Style

Type	Prefix
Shaft Mount (Hollow Shaft)	Y
Housing Mount (Solid Shaft)	U
Flange (Solid Shaft)	F
Foot (Solid Shaft)	H

Input Connection

Input Connection	Prefix	
	Reducer	Motor
Free Input Shaft		
Input Motor Adapter	J	JM
W/Input Motor Flange & Hollow Bore	X	XM

Modification

	Prefix
Unit build with special modifications	S
Shrink Disc	S
No special modifications applied	

Motor Power (HP or kW)

(if supplied and/or mounted by Sumitomo; applies only to 1750 RPM)

HP	(kW)	Prefix
1/8	(0.1)	01
1/4	(0.2)	02
1/3	(0.25)	03
1/2	(0.4)	05
3/4	(0.55)	08
1	(0.75)	1
1 1/2	(1.1)	1H
2	(1.5)	2
3	(2.2)	3
5	(3.7)	5
7 1/2	(5.5)	8
10	(7.5)	10
15	(11)	15
20	(15)	20
25	(18.5)	25
30	(22)	30
40	(30)	40
50	(37)	50
60	(45)	60
75	(55)	75

When ordering, the following information should be included:

- NEMA frame size for C-face adapter
- Motor Specification if supplied and/or mounted by Sumitomo (230/460 VAC 60 Hz is supplied in the United States, unless otherwise specified)
- Bushing Bore size must be supplied

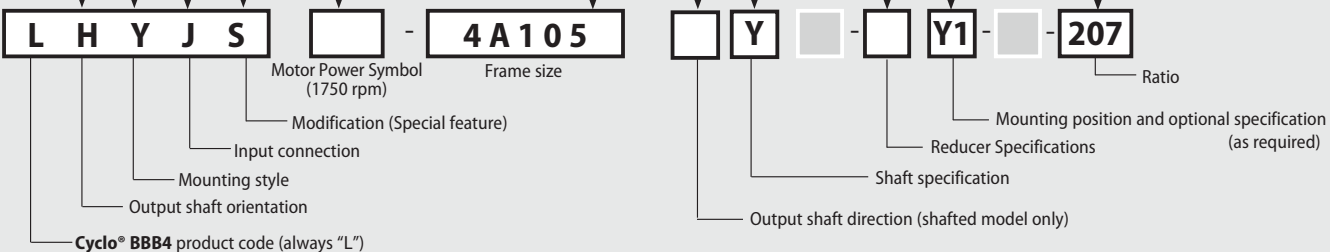
Optional conduit box positions must be specified, otherwise Y1 is supplied.

Frame Size

Single Reduction			
4A100	4B125	4C170	4E175
4A105	4B140	4C175	4E180
4A110	4B145	4D160	4E185
4A115	4B160	4D165	4E190
4A120	4B165	4D170	4E195
4A125	4C140	4D175	4F180
4A140	4C145	4D180	4F185
4A145	4C160	4D185	4F190
4B120	4C165	4E170	4F195
Double Reduction			
4A10DA	4B16DA	4C17DC	4E17DC
4A12DA	4B16DB	4D16DA	4E18DA
4A12DB	4B16DC	4D16DB	4E18DB
4A14DA	4C14DA	4D16DC	4E19DA
4A14DB	4C14DB	4D17DA	4E19DB
4A14DC	4C14DC	4D17DB	4F18DA
4B12DA	4C16DA	4D17DC	4F18DB
4B12DB	4C16DB	4D18DA	4F19DA
4B14DA	4C16DC	4D18DB	4F19DB
4B14DB	4C17DA	4E17DA	
4B14DC	4C17DB	4E17DB	

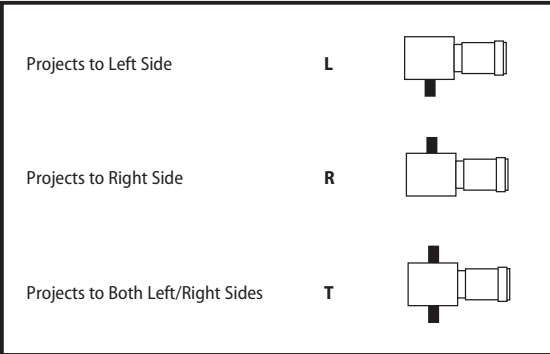
Reducer Specifications

Specification	Suffix
Standard	
Shovel Base	SB
Torque Limiter	TL



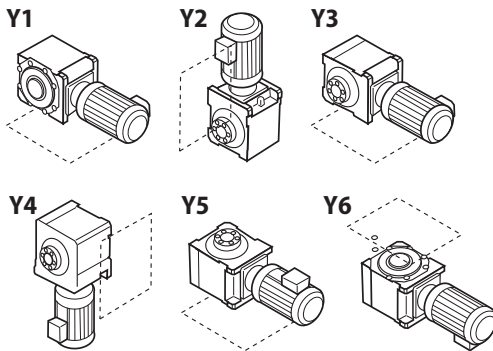
Nomenclature

Driven Shaft Direction (Shafted Model Only)



Shaft Specifications

Input Shaft	OUTPUT SHAFT		Suffix
	Hollow	Solid	
mm	Key (mm)	mm	
Inch	Key (Inch)	Inch	K
mm	Taper-Grip®		M
Inch	Taper-Grip®		Y



Mounting Positions

Nominal and Exact Ratio

Nominal and Exact Ratios

BBB4 with Planetary Input				BBB4 with Planetary Input Single Reduction					
Nominal Ratio		Frame Size	Exact Ratio	Nominal Ratio		Frame Size	Exact Ratio		
Input	Overall			Input	Overall				
3	11	4A10	10.50	6	21	All	21.0		
		4A12	10.89	7	22		22.4		
		4A14		8	25		24.5		
		4B14		11	28		28.0		
		4B16	10.85	13	35		35.2		
		4C16		15	39		38.5		
		4D16		17	46		45.5		
		4D17	10.5	19	53		52.5		
		4E17		21	60		59.5		
		4E18		25	67		67.2		
		4F18	10.82	29	74		73.5		
		4E19		35	80		80.0		
4F19	43	88		87.5					
4A10	13	4A10	12.99	49	102	All	101.5		
4A12		12.80	51	112	112.0				
4A14		12.95	55	123	122.5				
4B14			59	151	150.5				
4B16			67	179	178.5				
4C16		12.80	71	207	206.5				
4D16			87	249	248.5				
4D17			119	305	304.5				
4E17		13.09	4A10	14.17	139		417	4A10	416.5
4E18			4	4A10	14.21		Double Reduction		
4E19				4A10	14.00		Input	Overall	Frame Size
4F18		4A12		14.00	104		364	All	364.0
4F19	4A14	14.16		121	424	423.5			
14	4B14	14.00		143	501	500.5			
	4B16			165	578	577.5			
	4C16			195	683	682.5			
4D16	14.32	231		809	808.5				
4D17		273		956	955.5				
4E17		319		1117	1116.5				
4E18	14.23	377		1320	1319.5				
4F18		473		1656	1655.5				
4E19		559	1957	1956.5					
4F19	16	649	2272	2271.5					
4A10		4A10	15.36	731	2559	2558.5			
4A12		4A12	15.65	841	2944	2943.5			
4A14		4A14	16.00	1003	3511	3510.5			
4B14		4B14	16.26	1247	4365	4364.5			
4B16		1479		5177	5176.5				
4C16		1849		6472	6471.5				
4D16		16.17	2065	7228	7227.5				
4D17			2537	8880	8879.5				
4E17			3045	10658	10657.5				
4E18		15.63	3481	12184	12183.5				
4F18			4437	15530	15529.5				
4E19	5133		17966	17965.5					
4F19	5	6177	21620	21619.5					
4A10		4A10	16.80	7569	26492	26491.5			
4A12		4A12	17.12						
4A14		4A14	17.50						
4B14		4B14		17.78					
4B16		4B16			17.68				
4C16		4C16	17.10						
4D16		4D16		16.92					
4D17		4D17			17.10				
4E17		4E17	17.10						
4E18		4E18		16.92					
4F18		4F18			16.92				
4E19	4E19	16.92							
4F19	4F19		16.92						

Speed Reducers
Nomenclature

Nomenclature Example:
LHYJS – 4A105Y – Y1 – 207

- L – Cyclo® Bevel Buddybox
- H – Horizontal Output Shaft
- Y – Shaft Mount (Hollow Shaft)
- J – C-Face Input
- S – Modification (Special feature)
- 4A105 – Frame Size
- Y – Taper-Grip® Bushing output, inch shaft input
- Y1 – Installation Position
- 207 – Ratio